

SMARTER WAREWASHING



faster
cleaner
greener

=
Granules →



Granule Solo®

The modern and innovative potwashing solution

GRANULDISK®

From dirty to clean in 3 minutes without pre-washing

No pre-washing.



Just scrape & wash
– no pre-washing

1. **Scrape off.**
2. **Load pans** into the machine.
3. **Choose wash programme** and press start!

No soaking, no scrubbing

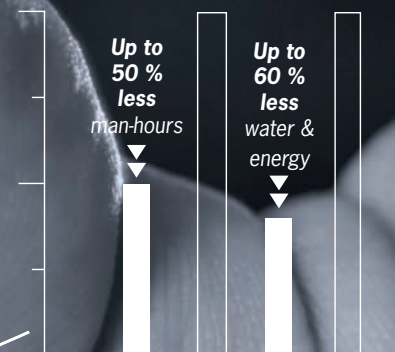
Thanks to the blasting power of the Granules, all food remains are removed in a matter of minutes. Pots, pans, slightly soiled and even burnt in items are all scoured clean using Granules (tiny plastic pellets), water and a small amount of detergent.

The Granules are reused in the machine, wash after wash.

Each programme is completed by a rinse cycle, which assures that clean items with high hygiene standard are returned to the kitchen.

A substantial reduction of your yearly running costs

■ Granule Solo®
□ Manual potwashing



Based on running costs for washing 120 GN 1/1 per hour or equivalent in pots & pans in Granule Solo® compared to manual potwashing in sinks.

GREEN BONUS
reducing your water and energy consumption automatically reduces your impact on the environment

Granule Solo®

– the latest addition to the GRANULDISK® family.

Minimum space requirements

Granule Solo® is a stand-alone solution that fits in less than 1 m².

Food-Safety & hygiene

Hygienically clean pots and pans, day after day. Granule Solo® machines are built to comply with hygiene norm DIN10512.

Granules or water?

Choose between **Granule optimised programmes** for pots, pans and heavily soiled items and the **high-powered water programmes** for slightly soiled and sensitive dishware.

Hot water (standard)

Art.nr 21637 3-ph/400V/50Hz
Art.nr 21638 3-ph/415V/50Hz

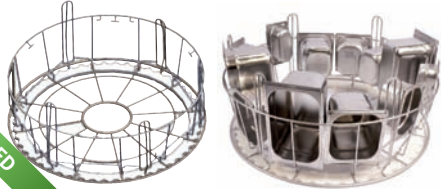
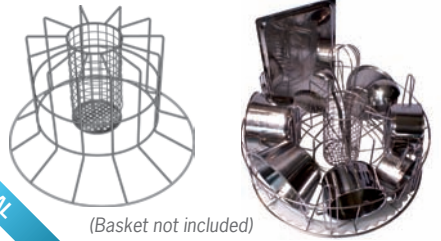
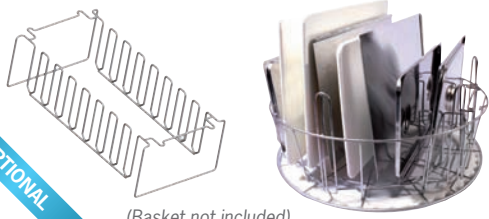



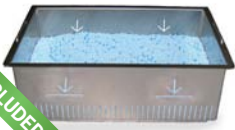


Cold water (option)

Art.nr 21639 3-ph/400V/50Hz
Art.nr 21640 3-ph/415V/50Hz

	Hot water (standard)	Cold water (option)
Normal capacity/hour*	96 GN 1/1	96 GN 1/1
Max capacity/hour	120 GN 1/1	120 GN 1/1
Capacity/cycle	6 GN 1/1 or equivalent in other utensils	6 GN 1/1 or equivalent in other utensils
External dimensions (mm) H x W x D	1744 (open 2034) x 1025 x 888	1744 (open 2034) x 1025 x 888
Max power	11,7 kW	16,7 kW
Wash/rinse tank element	9 kW/ 9kW	14 kW/ 14 kW
Fuse	25 A	32 A
Water connection	50-65°C, 3-10°dH	3-10°dH
Water pressure	1-6 bar	1-6 bar

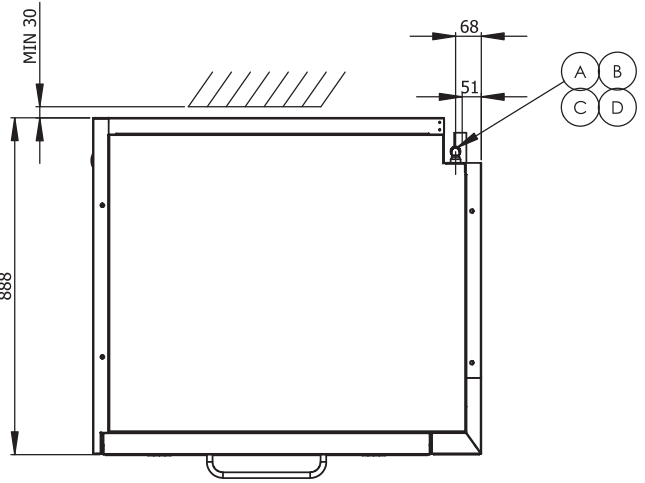
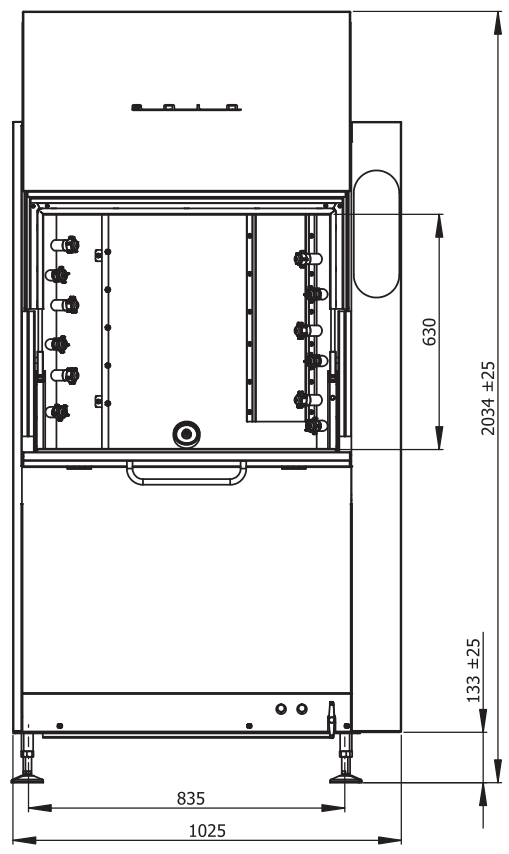
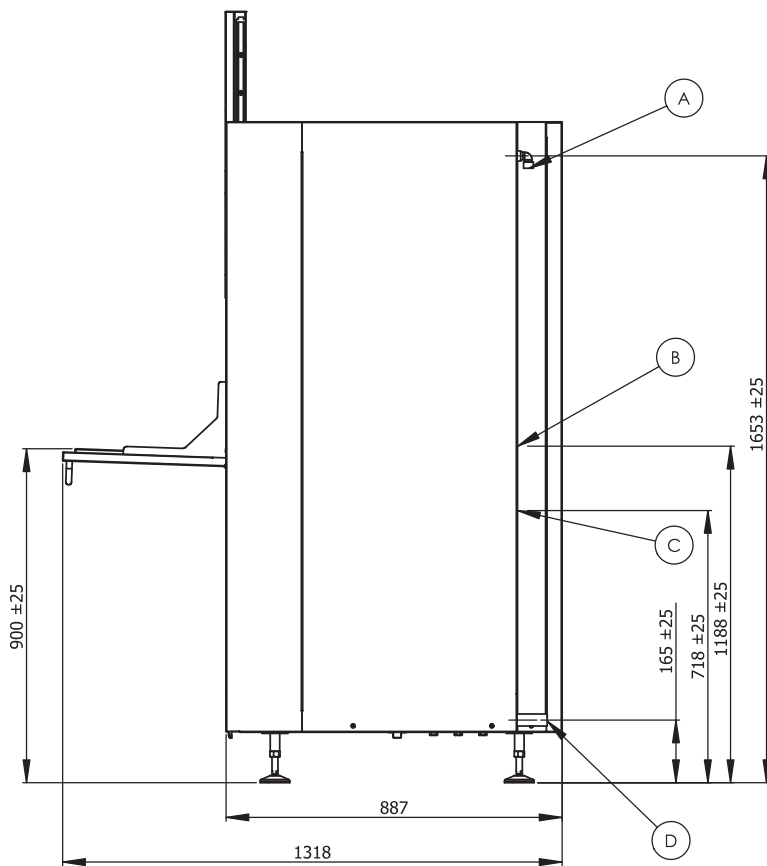
*Normal capacity per hour includes handling.

Accessories

<p>GD 102 Standard wash basket [Art.no. 19999]</p> <ul style="list-style-type: none"> Allows 6 x GN 1/1 65 mm or 12 x small GN directly loaded into the basket, no extra accessory needed. 	 <p>INCLUDED</p>	
<p>GD 750 Potholder with integrated ladle/whisk holder [Art.no. 13756]</p> <p>Fits in the standard wash basket. Allows:</p> <ul style="list-style-type: none"> 5 x pots/bowls/similar utensils. The centered net basket holds ladles, whisks etc. 	 <p>OPTIONAL (Basket not included)</p>	
<p>GD 150 Multipurpose insert [Art.no. 19992]</p> <p>Fits in the standard wash basket. For washing;</p> <ul style="list-style-type: none"> 2 x GN 2/1 6 x baking trays 8 x GN lids Chopping boards, grids etc 	 <p>OPTIONAL (Basket not included)</p>	
<p>GD 104 Pot Basket [Art.no. 21423]</p> <p>Holds up to 2 large pots. Placed in machine instead of Standard wash basket.</p>	 <p>OPTIONAL</p>	
<p>GD 152 Multiflex holder [Art.no. 20554]</p> <p>Fits in the standard wash basket.</p> <ul style="list-style-type: none"> Accessory for 3-5 saucepans, small bowls, sieves etc. 	 <p>OPTIONAL (Basket not included)</p>	
<p>PowerGranules®</p> <p>Exact right density and size for best removal rate, tested and verified with GRANULDISK® machines. PowerGranules® lasts up to 3 500 wash cycles, depending on most frequently run programme and type of washware.</p> <p>10 litres [Art.no. 22633] 20 litres [Art.no. 22634]</p>	 <p>8L INCLUDED*</p>	 <p>INCLUDED</p>
<p>GD 646 Accessory holder [Art.no. 6001159]</p> <p>Accessory holder for storing of inserts and accessories when not in use. Hang on side of machine and fill with accessories.</p>	 <p>OPTIONAL</p>	
<p>GD 110 Hose [Art.no. 21649]</p> <p>Hose for easier daily cleaning.</p>	 <p>OPTIONAL</p>	

* A start-up charge (8 litres) of PowerGranules® are included, delivered inside the machine.

Technical drawing



- A Water supply:** 3-10 °dH, 15 l/min, Temperature 50-65°C (cold water optional)
 - B Detergent and rinse aid**
 - C Electrical:** 25 A (cold water option 32 A)
 - D Drain:** Ø 32mm. Drain capacity 50 l/min
- N.B. Ventilation capacity; 500 cbm/h. (Hood needed)

Planning a kitchen?

Go to www.granuldisk.nu to download 2D CAD-symbols, complete technical specifications and more.



GRANULDISK®

GRANULDISK Jägershillgatan 15, SE-21375 Malmö, SWEDEN
Telephone: +4640 671 50 60 info@granuldisk.com

GRANULDISK is ISO 9001:2008 and ISO 14001:2004 certified.