
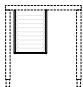
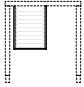
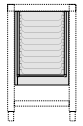
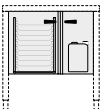
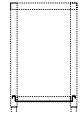
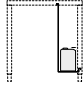
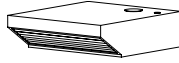
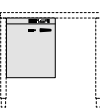

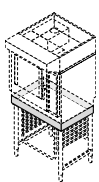
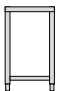
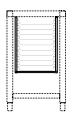
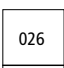
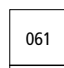
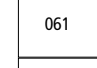


## Accessories COMPACT mixed ovens

<b>NSR</b> 	<b>Base support in stainless steel.</b> 875 x 525 x 910 h <b>NSR061</b> (Mod. CVEN061 - CBEN061 - CVGN061 CVES061-CBES061-CVGS061)	<b>NAL</b> 	<b>Neutral cabinet with door</b> (To be added to the CSR) <b>NAL061</b> (Mod. CVEN061 - CBEN061 - CVGN061 CVES061-CBES061-CVGS061)												
<b>KPT</b> 	<b>Tray carrier (To add to the NSR)</b> 10 x 1/1 GN <b>KPT061</b> (Mod. CVEN061 - CBEN061 - CVGN061 CVES061-CBES061-CVGS061)	<b>CAN</b> 	<b>Neutral cabinet with tray holder</b> (To be added to the CSR) 10 x 1/1 GN <b>CAN061</b>												
<b>NAN</b> 	<b>Neutral cabinet with doors and tray holder (Add to the NSR)</b> 10 x 1/1 GN <b>NAN061</b> (Mod. CVEN061 - CBEN061 - CVGN061 CVES061-CBES061-CVGS061)	<b>CPD</b> 	<b>Stainless steel support plane</b> (To be added to the CSR) <b>CPD061</b> (Mod. COEN061 - COEN101 - COES061 - COES101)												
<b>KPD</b> 	<b>Stainless steel support plane</b> (To be added to the NSR) <b>KPD061</b> (Mod. CVEN061 - CBEN061 - CVGN061 CVES061-CBES061-CVGS061)	<b>CKC   CKO</b> 	<b>Suction hood, with air condenser (for use only in pre-prepared ovens). Add NPK accessory</b> 875 x 875 x 250 h <b>CKV061</b> 0,3 kW AC 230 V - 50 Hz (Mod. CBEN061, CVEN061, CVGN061, CBES061, CVES061 y CVGS 061)												
<b>MCR E</b> 	<b>Maintenance and slow cooker cabinet (To be added to the NSR)</b> 450 x 630 x 400 h <b>MCR031E</b> 3 x 1/1 GN (Mod. CVEN061 - CBEN061 - CVGN061 0,7 kW CVES061-CBES061- AC 230 V - 50 HZ CVGS061)	510 x 1025 x 250 h <b>CKO061</b> 0,3 kW AC 230 V - 50 Hz (Mod. COEN061, COEN101, COES06 y COES101)	510 x 850 x 250 h <b>CKO026</b> 0,3 kW AC 230 V - 50 Hz (Mod. COEN026 y COES026)												
<b>RP</b> 	<b>Kit wheels for supports, of which 2 with brake</b> <b>RP04</b>	<b>CCE</b> 	<b>Overlay frame for height adjustment, in the oven installation with hood</b> 839 x 480 x 150 h <b>NNR061</b> (Mod. CVEN061 - CBEN061 - CVGN061 CVES061-CBES061-CVGS061)												
<b>CSR</b> 	<b>Base support made of stainless steel</b> 510 x 648 x 860 h <b>CSR061</b> (Mod. COEN061-COES061)	<b>NNR</b> <b>Overlay frame for height adjustment, in the oven installation with hood</b>													
	510 x 648 x 710 h <b>CSR101</b> (Mod. COEN101-COES101)														
<b>CPT</b> 	<b>Tray carrier (To be added to the CSR)</b> 10 x 1/1 GN <b>CPT061</b> (Mod. COEN061-COEN101-COES061-COES101)														
<b>KCOE   KCVE   KCVG   KCBE</b>		<b>Overlay kit. Supplement for overlapping ovens (includes lower support)</b>													
 510 mm	 510 mm	 875 mm	<table border="1"> <thead> <tr> <th>Electric bottom oven</th> <th>Gas lower oven</th> <th>Lower oven with boiler</th> </tr> </thead> <tbody> <tr> <td>KCOE026</td> <td>KCVG061</td> <td>KCBE061</td> </tr> <tr> <td>KCOE061</td> <td></td> <td></td> </tr> <tr> <td>KCVE061</td> <td></td> <td></td> </tr> </tbody> </table>	Electric bottom oven	Gas lower oven	Lower oven with boiler	KCOE026	KCVG061	KCBE061	KCOE061			KCVE061		
Electric bottom oven	Gas lower oven	Lower oven with boiler													
KCOE026	KCVG061	KCBE061													
KCOE061															
KCVE061															




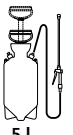
## Accesories COMPACT mixed ovens

### OTHER ACCESORIES

*Supplement for energy optimization (electric models only)	SN (mod. 026- 061 - 101)	Multiprobe system - 2 multipoint heart probes - Ø 3 mm. NABOO VERSION	KSM002 (mod. 026 - 061 101)
* Change direction of door	NPS (mod. 026 - 061 - 101)	Wash shower with stainless steel flexible hose - 2,5 m.	ICLD (mod. 026 - 061 101)
*Preparation for suction hood connection	NPK (mod. 026 - 061 101)	Stainless steel shelf	SM026 (mod. 026)
*Multipoint heart probe - Ø3mm. SAPIENS VERSION	KSC004 (mod. 026 - 061 101)		
*Two ventilation speeds: normal / reduced. SAPIENS VERSION	CVR (mod. 026 - 061 101)	Stainless steel heat protection, for right side wall (essential when the oven is located near other sources of heat)	PAC026 (mod. 026) PAC061 (mod. 061) PAC061B (mod. 061 con boiler)
Automatic washing system (1 container of 4.5kg SAPIENS VERSION)	ILCS1 (mod. 026 - 061 101)		PAC101 (mod. 101)
Fat filter	ICFX01 (mod. 026 - 061 101)	Leg kit (h - 150 mm)	NPF04 (mod. 061)
Needle heart probe - Ø1 mm (only in ovens equipped with a heart probe)	KSA001 (mod. 026 - 061 101)		

\*Order with the order of the oven

### ACCESORIES FOR MAINTENANCE

	COMBICLEAN ALKALINE DETERGENT 3 in 1. Triple action alkaline detergent product, specific for cleaning the cooking chamber. (2 packs of 5 l each)	CDL05
	CALFREE Ecological antical product (2 containers of 4.5 l each)	CCF05
	Sprayer for detergent - 2 l.a one)	PL002
	Sprayer for detergent with lance - 5 l.	PL005