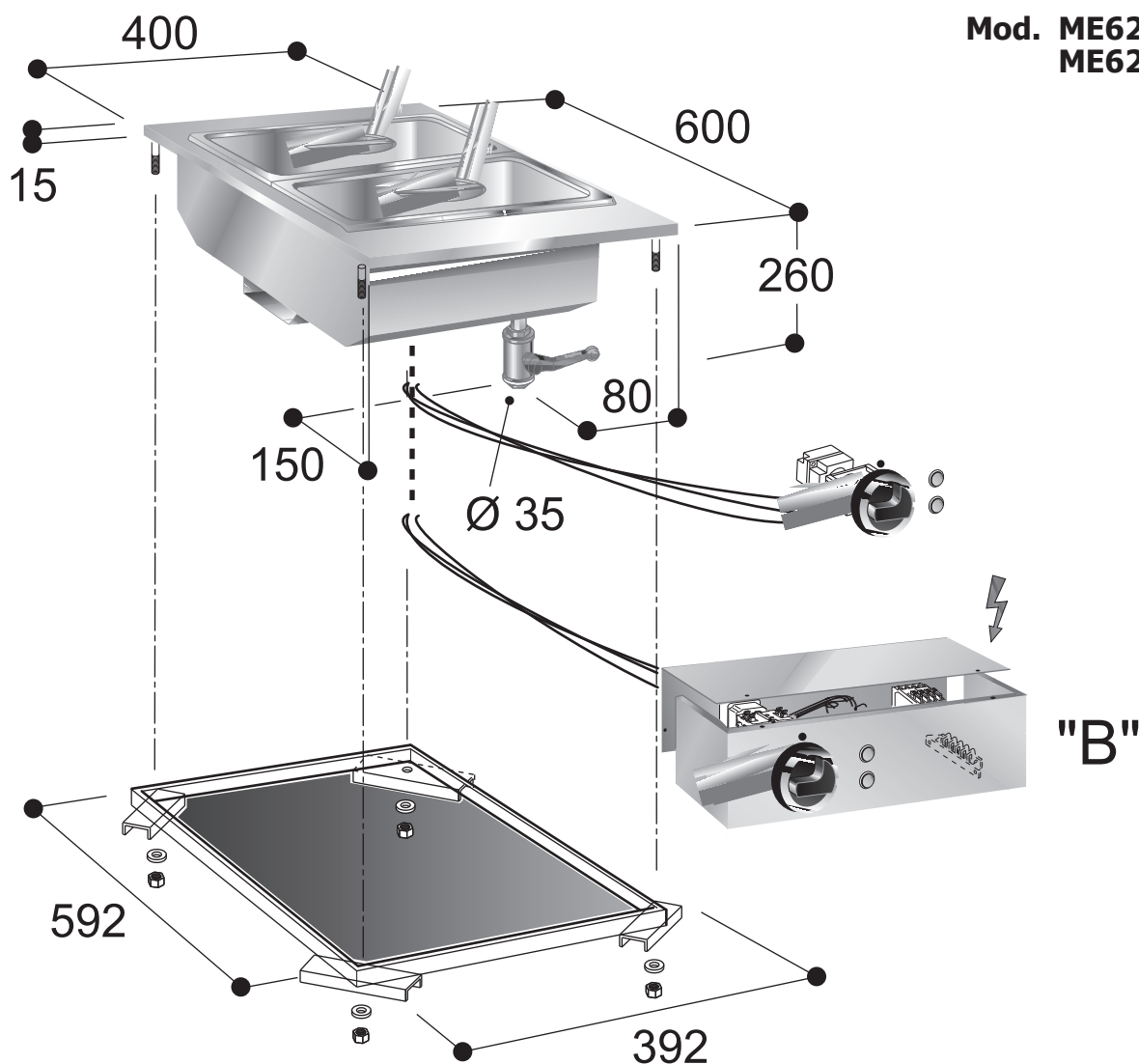
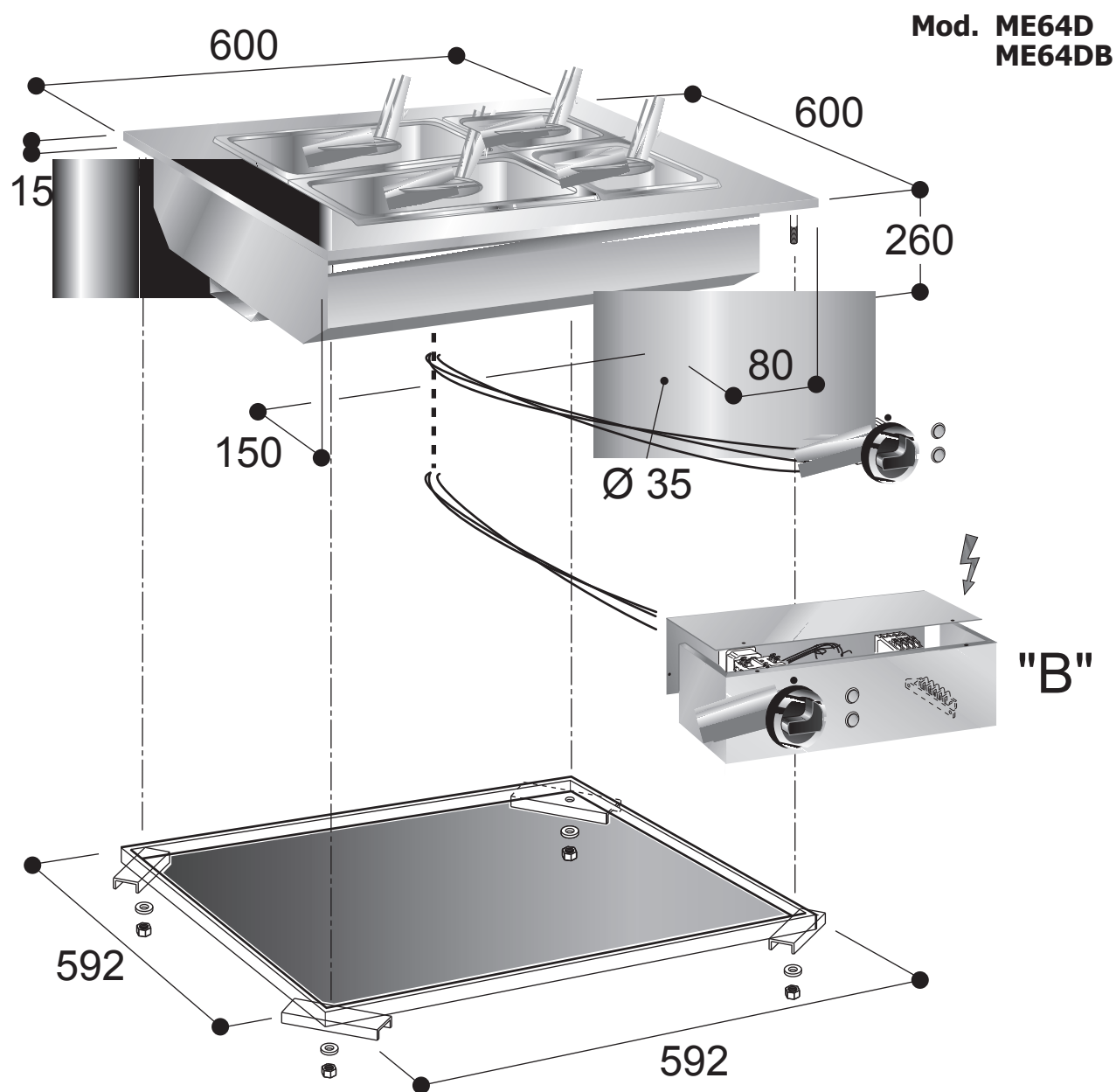


Mod. ME62D  
ME62DB



DATI TECNICI - TECHNICAL DATA - TECHNISCHE DATEN - DONNEES TECHNIQUES

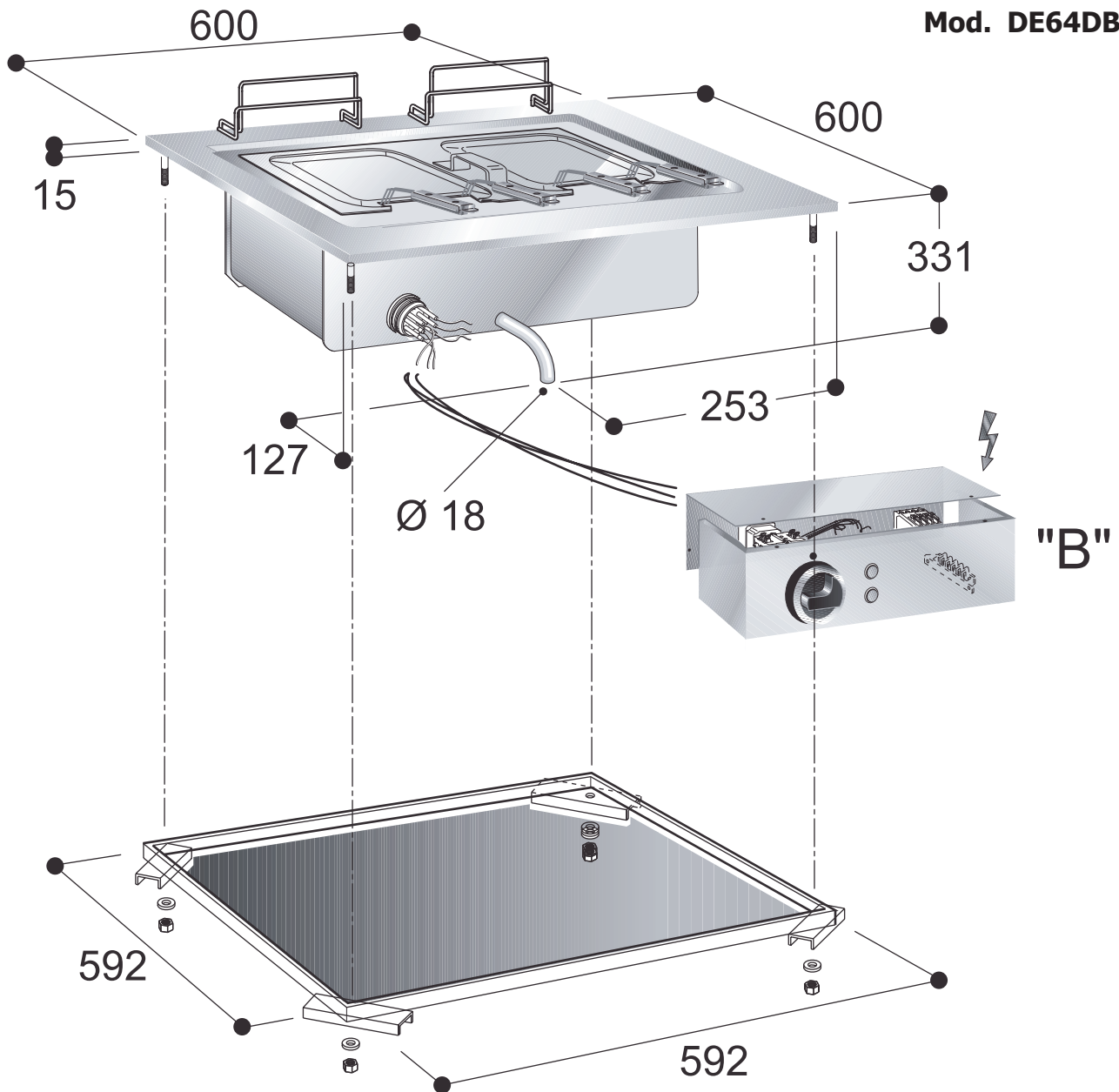
|   |                 |
|---|-----------------|
| Dimensioni esterne LxPxH mm<br>Ext. dim. LxDxH mm<br>Außenmaße LxTxH mm<br>Dim. externes LxPxH mm   | 400 x 600 x 260 |
| Dimensioni vasca LxPxH mm<br>Tank dim. LxDxH mm<br>Becken Abm. LxTxH mm<br>Dim. bassin LxPxH mm   | 305 x 510 x 195 |
| Potenza elettrica kW<br>Electric power kW<br>Elektrische Leistung kW<br>Puissance Electrique kW   | 2               |
| Tensione di alimentazione V (50/60 Hz)<br>Feedig voltage V (50/60 Hz)<br>Anschlußspannung V (50/60 Hz)<br>Tension d'alimentation V (50/60 Hz) | AC 230V         |



DATI TECNICI - TECHNICAL DATA - TECHNISCHE DATEN - DONNEES TECHNIQUES

|   |                 |
|---|-----------------|
| Dimensioni esterne LxPxH mm<br>Ext. dim. LxDxH mm<br>Außenmaße LxTxH mm<br>Dim. externes LxPxH mm   | 600 x 600 x 260 |
| Dimensioni vasca LxPxH mm<br>Tank dim. LxDxH mm<br>Becken Abm. LxTxH mm<br>Dim. bassin LxPxH mm   | 490 x 510 x 195 |
| Potenza elettrica kW<br>Electric power kW<br>Elektrische Leistung kW<br>Puissance Electrique kW   | 3               |
| Tensione di alimentazione V (50/60 Hz)<br>Feedig voltage V (50/60 Hz)<br>Anschlußspannung V (50/60 Hz)<br>Tension d'alimentation V (50/60 Hz) | AC 230V         |

Mod. DE64DB



DATI TECNICI - TECHNICAL DATA - TECHNISCHE DATEN - DONNEES TECHNIQUES

|   |                 |
|---|-----------------|
| Dimensioni esterne LxPxH mm<br>Ext. dim. LxDxH mm<br>Außenmaße LxTxH mm<br>Dim. externes LxPxH mm   | 600 x 600 x 331 |
| Dimensioni vasca LxPxH mm<br>Tank dim. LxDxH mm<br>Becken Abm. LxTxH mm<br>Dim. bassin LxPxH mm   | 500 x 340 x 200 |
| Potenza elettrica kW<br>Electric power kW<br>Elektrische Leistung kW<br>Puissance Electrique kW   | 9               |
| Tensione di alimentazione V (50/60 Hz)<br>Feedig voltage V (50/60 Hz)<br>Anschlußspannung V (50/60 Hz)<br>Tension d'alimentation V (50/60 Hz) | 3N - AC 400V    |